

ECOLEC PANEL HEATERS

GENERAL NOTES.

ECOLEC heating products are specifically designed to give you comfortable, controllable warmth when and where you need it.

PLEASE READ THESE NOTES BEFORE INSTALLATION AND RETAIN FOR FUTURE REFERENCE.

IMPORTANT SAFETY ADVICE

1. **WARNING: THIS HEATER MUST BE EARTHED.**
2. This heater is for use as an indoor fixed appliance and is **NOT FOR PORTABLE USE.**
3. **DO NOT** use heater outdoors.
4. **DO NOT** operate switches etc. with wet hands.
5. Ensure that the heater is switched off when cleaning.
6. **DO NOT** use where flammable gases or liquids are stored.
7. This heater will be hot when in use. To avoid the possibility of burns do not let bare skin touch hot surfaces. Momentary contact should not cause any harm.
8. **DO NOT** allow small children to play with the heater.
9. To avoid over heating do not obstruct the air circulation around the heater or allow curtains or furniture to touch or cover any part of the casing.
10. The installation of this heater should be carried out by an electrician or competent person and be in strict accordance with current IEE Wiring Regulations and all relevant Building Regulations.
11. Before connecting the heater, check that the supply voltage is the same as that marked on the heater.
12. If the flexible mains lead gets damaged **DO NOT USE** the heater, but have it removed (by a competent person) and arrange to return it to the manufacturer for the fitting of a replacement lead.
13. There are no user serviceable parts inside the heater.
14. Heaters must never be covered.
15. Towels must only be placed, loosely hanging, on Ecolec supplied towel rails fitted to an Ecolec towel rail heater.

.....
Your Ecolec heater has been designed to produce warmth where and when you need it.
Radiant Convector (RC) heaters provide mostly radiant and varying proportions of convected heat.
Radiant panel and IPx4 radiated heaters produce mostly radiant heat.

Radiant heat does not directly warm air but warms objects and we therefore recommend that furniture etc. be kept one metre clear from the front of the heater.

**The heaters are supplied with a mains cord length which should be sufficient to allow connection to a convenient 13A fused spur, or socket outlet via a 13 amp plug. (See fitting detail below).
Either must be fitted with the correctly rated fuse as detailed below;**

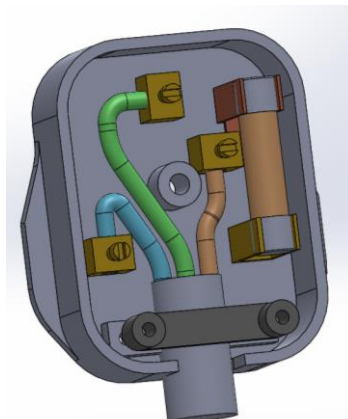
- (a) 500 watts (3amp)
- (b) 1000 watts (7amp)
- (c) 1500 watts (10amp)
- (d) 2000 watts (13amp)

Prepare lead for connection to a 13A plug as follows:

E – Green & Yellow core,
Length 41mm O/ All,
Strip off insulation to expose 8mm of bare wire.

L – Brown core,
Length 20mm O/ All,
Strip off insulation to expose 8mm of bare wire.

N – Blue core,
Length 35mm O/ All,
Strip off insulation to expose 8mm of bare wire.



FASTEN CORD GRIP AFTER
CONNECTING CONDUCTORS
TO TERMINALS.

WARNING!
WARNING THIS APPLIANCE MUST BE EARTHED
THE HEATER MUST NOT BE FIXED IMMEDIATELY BELOW A SOCKET OUTLET
CONVECTION MODELS MUST NOT BE FITTED IN A BATHROOM REFER TO
BATHROOM / SPLASH ROOF & 1PX4 MODELS

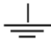
Important: Special regulations exist for appliances in bathrooms and shower rooms. Consult a qualified Electrician.

ECOLEC PANEL HEATERS

IMPORTANT

The wires in the mains lead are coloured in accordance with the following code:-

GREEN & YELLOW	-	EARTH
BLUE	-	NEUTRAL
BROWN	-	LIVE

- Connect GREEN & YELLOW wire to terminal marked E or 
- Connect BROWN wire to terminal marked L
- Connect BLUE wire to terminal marked N

Standard Ecolec heaters must NOT be used in the immediate surroundings of a bath, a shower, or a swimming pool.

BATHROOM / SPLASH PROOF & IPX4 MODELS

This type of heater may be used in a bathroom, but special regulations apply, including the requirement for RCD protection.

It is important that you consult a qualified electrician before installation.

IF IN DOUBT – CONSULT A QUALIFIED ELECTRICIAN

The supply cord of this appliance cannot be replaced without opening the sealed panels of the appliance. Should the supply cord become damaged, the supply cord replacement can only be carried out by a properly equipped and qualified electrical repair shop.

METHOD OF FITTING – WALL PANEL HEATERS

(Applies to Radiant/Convactor & IPx4 rated models)

1. Select the correct place near a 13amp supply, ensuring that the warmed air will be able to circulate freely in the room/area being heated.

DO NOT COVER WITH CURTAINS ETC.

IPx4 rated heaters for use in bathrooms, kitchens etc., may be fitted with a towel rail if specified when ordered.

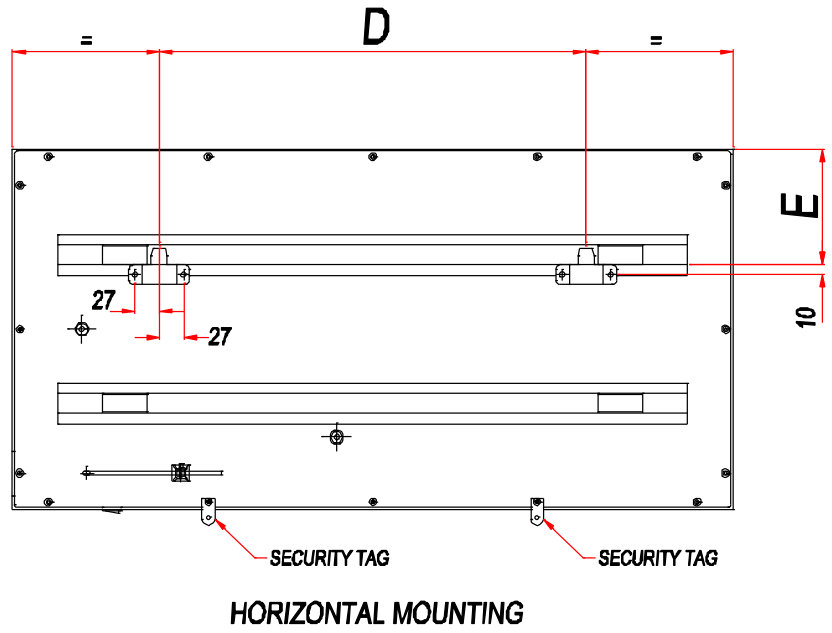
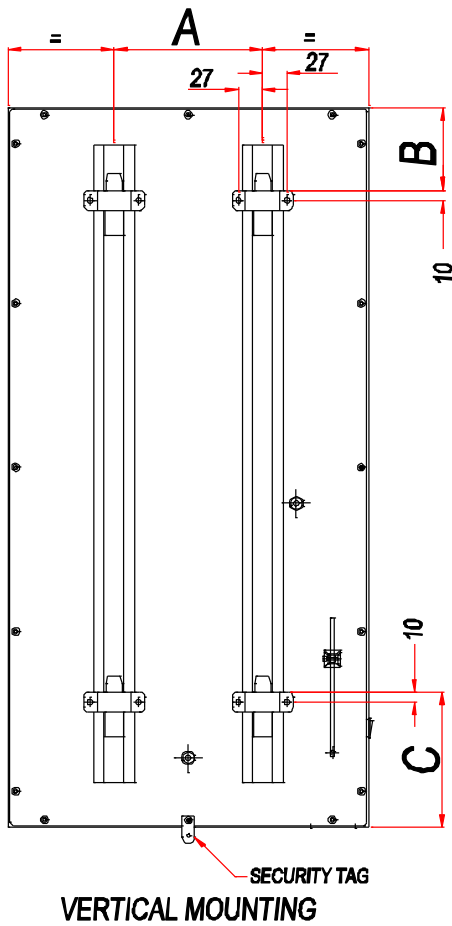
Towels should only hang to the front of the heater and must not cover the heater completely.

2. **Ecolec** heaters are primarily designed to be mounted vertically, however due to their unique design, may also be mounted horizontally.
3. Decide on the orientation required. In the vertical and horizontal mounting, the switch **must** always be at the bottom.
4. Referring to the illustrations below, measure the heater mounting centres.
5. Mark the wall in the required place – re-check the heater mounting centres. Use the mounting “T” brackets as a template to determine the hole centres. When you are happy with the positions, drill the wall and fit the appropriate rawlplugs.

(Please measure your heater to determine the mounting centres before commencing drilling.)

ECOLEC PANEL HEATERS

Fixing Dimensions

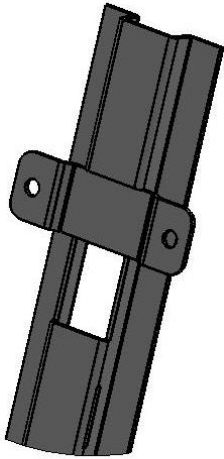


Ecolec Radiant Panel Dimensions

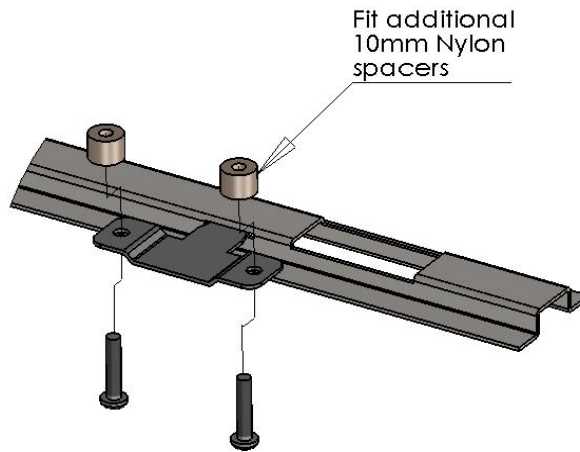
Product Code	Panel Size		Mounting Dimensions				
	Height	Width	A	B	C	D	E
ECO 505	500	500	250	131	181	171	136
ECO 507.5	750	500	250	131	181	421	136
ECO 510	1000	500	250	131	181	571	136
ECO 515	1500	500	250	131	181	1071	136
ECO 520	2000	500	250	131	181	1571	136
ECO 210	1000	250	172	148	198	571	108
ECO 215	1500	250	150	148	198	1071	108
ECO 220	2000	250	172	148	198	1571	108

ECOLEC PANEL HEATERS

The top brackets are the primary location, the lower brackets are the secondary location, and may not always be required on smaller panels. In all cases the lower securing tag must be fitted.



Vertical Installation



Horizontal Installation

6. Turn the lower securing tag(s) down.

7. When all the wall brackets are fixed you can now mount the heater onto the brackets.

8. All heaters have a security tag(s) along the bottom edge which should be fixed after the heater is placed on the wall mountings. A Screw (no 6), red Rawlplug and nylon spacer which fits between the tag and the wall is supplied in the fixing kit (larger heaters may have 2 tags). On all heaters the tags are already attached to the heater and need rotating down to the fixing position.

Rotating the tag down allows the drilling point to be marked, then rotate the tag clear to drill the hole (6mm x 40mm) for the red Rawlplug. Insert the Rawlplug, rotate the tag back over the Rawlplug, insert the spacer between the tag and the wall and insert the no 6 long screw through tag and spacer – screw in until tight.

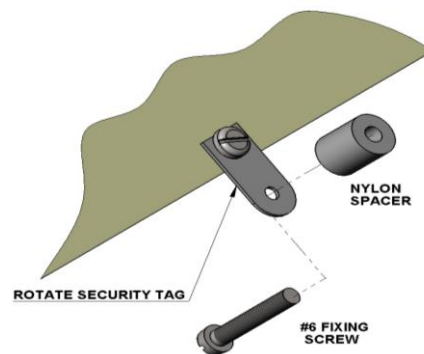
9. Fixing kit contents

Standard

- 2- "T" brackets
- 4- no 10 screws
- 4- brown Rawlplugs
- 1- no 6 screw
- 1- red Rawlplug
- 1- nylon spacer

Larger Heaters

- 4- "T" brackets
- 8- no 10 screws
- 8- brown Rawlplugs
- 2- no 6 screws
- 2- red Rawlplugs
- 2- nylon spacers



10. Ecolec heaters are primarily designed for vertical installation. However the dual function mounting facility will allow a horizontal installation. The safety tags supplied with the heater will be as the heater was ordered. If a change of mounting is required, then the safety tag(s) must be fixed to the corresponding bottom edge. Remove the pozi head screw(s) and re-attach the safety tag(s).

ECOLEC PANEL HEATERS

11. When the heater is securely fitted to the wall and connected to a suitable power supply point, power can then be switched on.

OPERATING

At this point the red switch on the heater should also be switched on. The red switch should illuminate to confirm that power is now available to the heater. If the switch does not illuminate when operated, first ensure that the wall connection is switched on. If that does not solve the problem, then we recommend that you consult your electrician.

Automatic/Remote control.

For wireless operation refer to the instructions provided with the WCT 100/TX programmable thermostat.

Manual control (when shipped from the factory)

Near to the red switch referred to above, there is an LED which lights up red to indicate that the heater is warming up. The panel surface temperature is factory preset. Please note, that in manual control, your heater will not automatically control room temperature.

If the LED shows green, and the heater does not warm up, it means that it may need to be set to operate in manual mode by following this procedure:

A: If the panel is on, switch it off.

B: Switch it on for about three seconds then switch it off again. Do this 5 times in succession, and your heater should be back in manual control.

In manual operating mode the heater can be switched on and off by using the power switch on the heater, or via the supply point. Should you in future require automatic room temperature and/or time control, then a WCT100/TX control may be purchased separately. Full instructions would be provided to enable the heater to be connected wirelessly.

12. To clean, simply wipe with a damp cloth, but do not allow any water to enter the top of a heater having grilles. Brushed stainless steel heaters often clean well when wiped with a soft cloth and a little baby oil.

13. SAFETY – OVERHEATING

All heaters are fitted with a thermal safety fuse. If the heater severely overheats then the thermal fuse will fail. When that occurs the heater will not operate and must be returned to a service centre or the manufacturer for repair and servicing.

14. After sales service.

Ecolec panel heaters have a 2 year warranty. Within this period Ecolec will repair or exchange this product free of charge provided it has been installed and operated correctly according to these instructions and has not been subjected to misuse.

Your right under this guarantee are additional to statutory rights.

For after sales service contact your supplier or Ecolec help on 01902 457575. It would assist processing your call if you can have available the model type, serial number, date of purchase, your supplier and some details of the fault.

Please do not return a product you consider faulty without first obtaining returns approval.